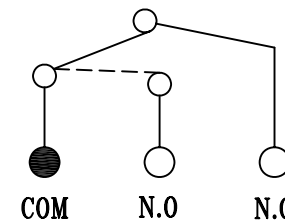
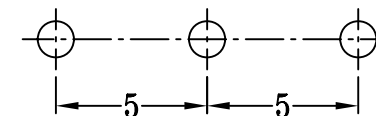
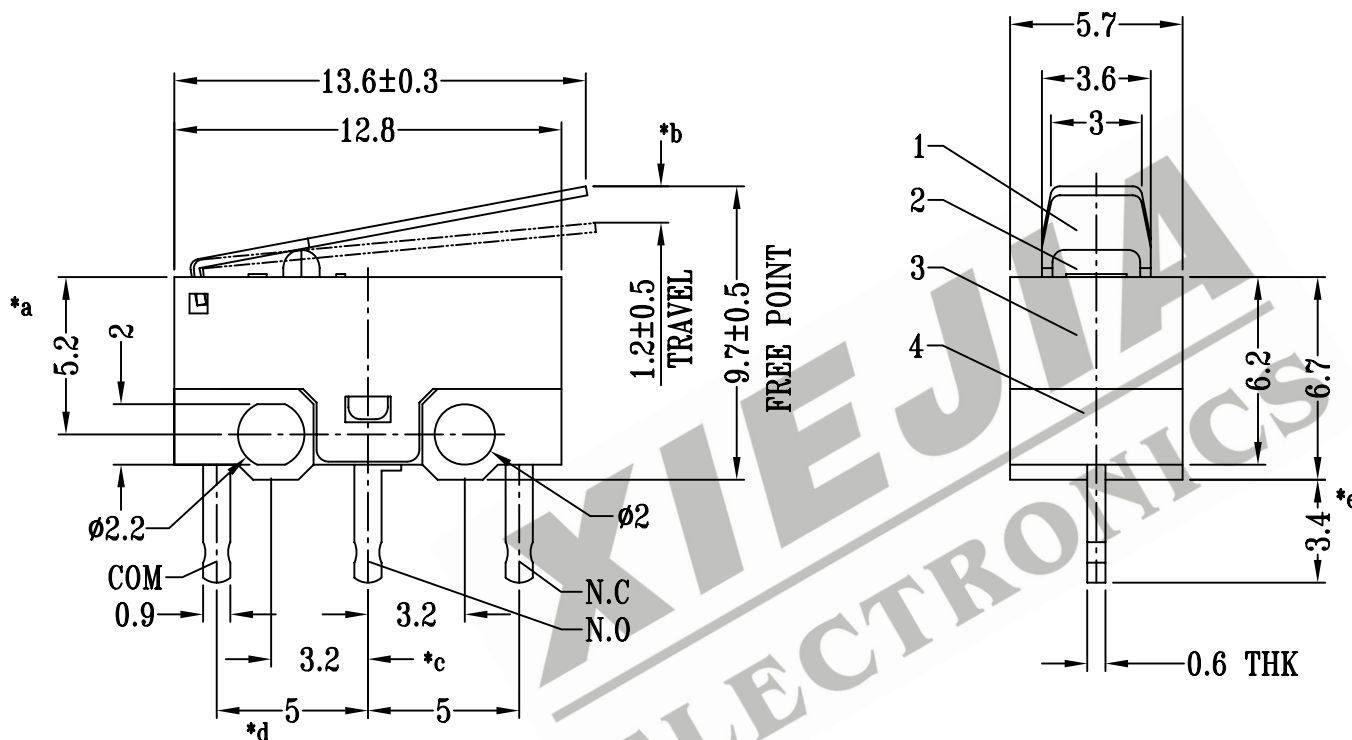


CAD FILE:



SCHEMATIC



P.C.B LAYOUT

9	CONTACT	PBS	1	NATURAL
8	CONTACT B	SLIVER WIRE	1	NATURAL
7	TERMINAL (COM)	BRASS STRIP	1	Ag PLATED OVER Ni PLATED
6	TERMINAL (N.O)	BRASS STRIP	1	Ag PLATED OVER Ni PLATED
5	TERMINAL (N.C)	BRASS STRIP	1	Ag PLATED OVER Ni PLATED
4	CASE	NYLON+F.G	1	WHITE
3	HOUSING	PC	1	BLACK
2	KNOB	POM	1	BLACK
1	STEEL KNOB	STAINLESS STEEL STRIP	1	NATURAL
NO.	PARTS	MATERIALS	Q'TY	FINISH

注:带"\*"表示关键尺寸(5个)

TOLERANCE UNLESS SPECIFIED		SHENZHEN XIEJIA ELECTRONICS CO.,LTD.		
WITHIN: 1.5±0.1mm OVER: 1.5±0.2mm		ISSUE	DATE	DESCRIPTIONS OF REVISION
TITLE : MICRO SWITCH		UNIT : mm	DRWG NO.: XJ-DR-MX1388-00	
MODEL: MX-1388		SCALE: 4:1	DWN.	ZHOUYU 2004-12-5
ALL MATERIALS MUST BE COMPLIANT TO ROHS		APPD.	KANGXINAN	2004-12-5